

ALL WOOD CABINETS

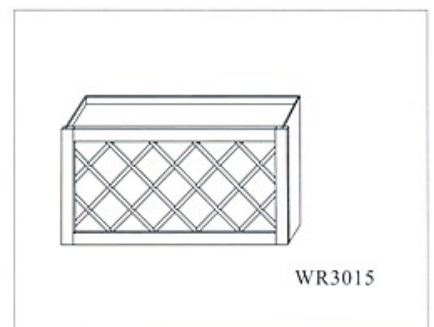
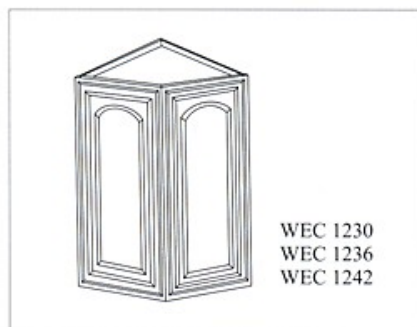
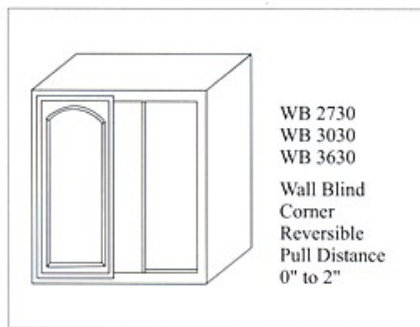
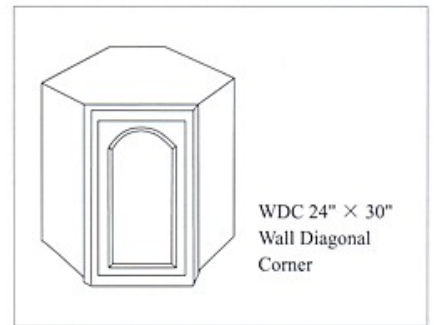
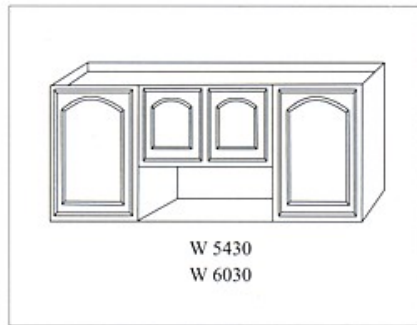
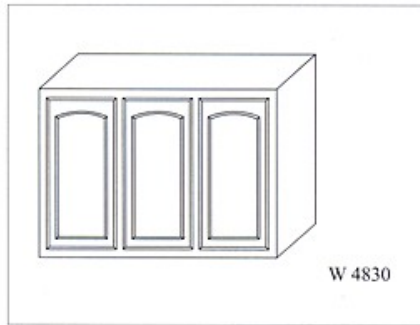
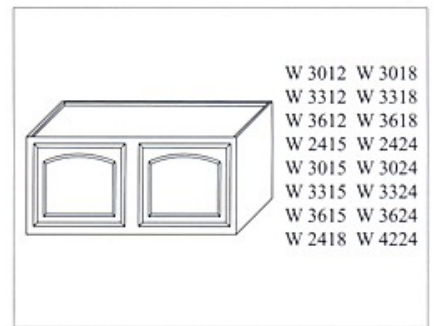
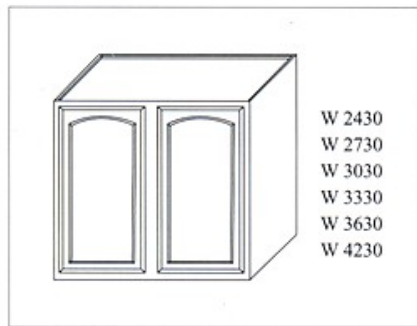
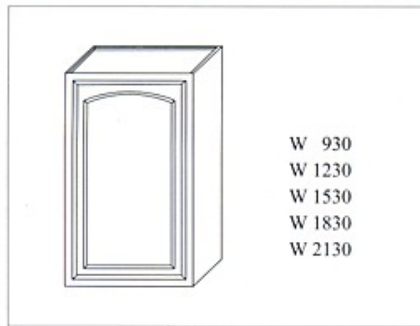
"R" Recessed Panel



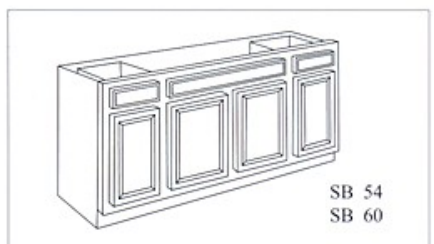
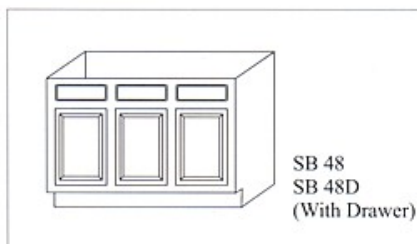
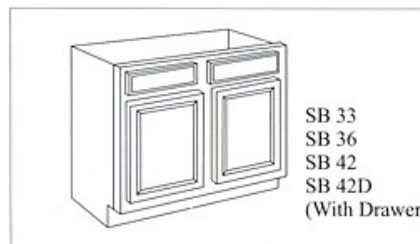
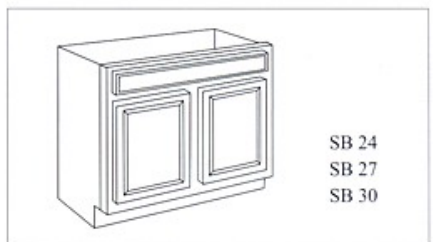
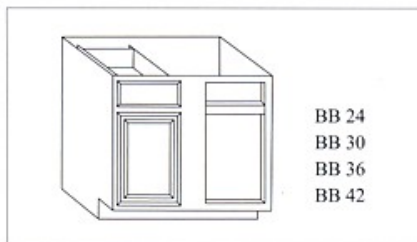
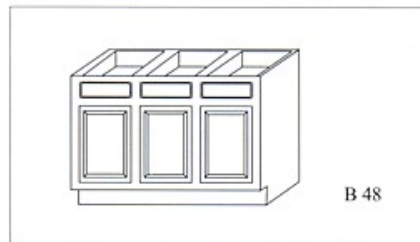
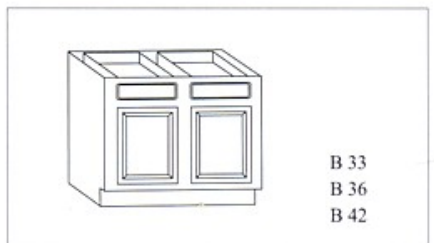
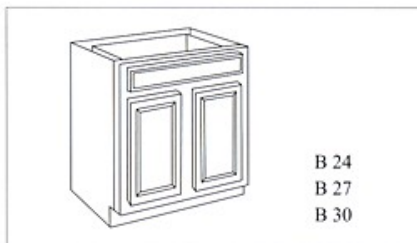
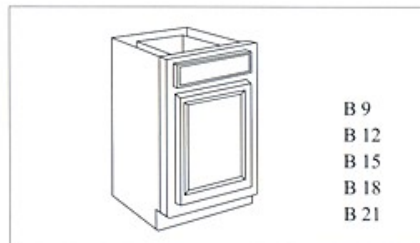
Features:

- ALL WOOD CONSTRUCTION • 1/2" PLYWOOD SIDES
- 3/4" ALL WOOD FACE FRAMES • EURO/CONCEALED HINGE
- 5/8" ADJUSTABLE PLYWOOD SHELVES • DRAWER BOX w/1/2" PLYWOOD SIDES
- EPOXY COATED DRAWER GLIDES • RECESSED PANEL DOORS
- 4-1/2" TOE SPACE WITH ALL WOOD TOE KICKS

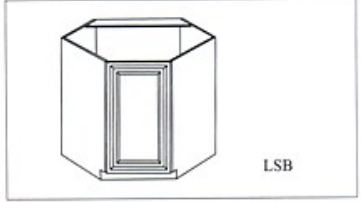
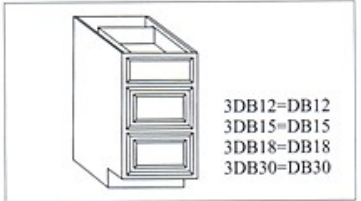
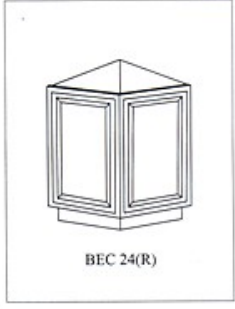
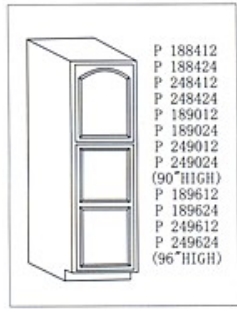
WALL CABINETS 12" DEEP



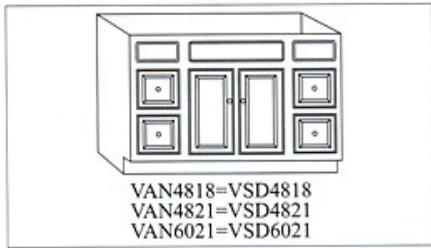
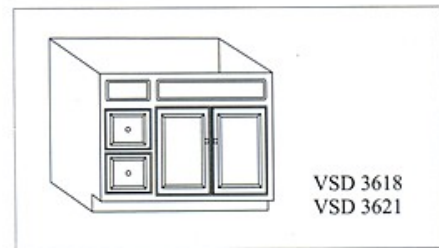
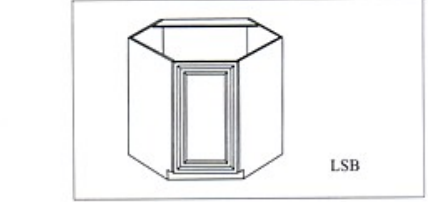
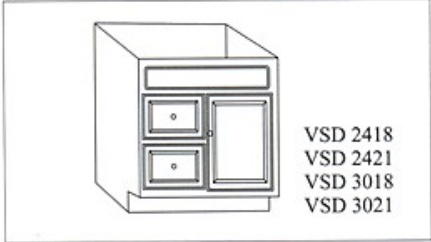
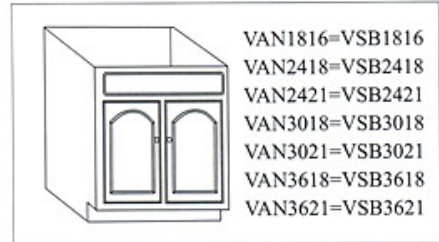
BASE CABINETS 34 - 1/2" HIGH & 24" DEEP



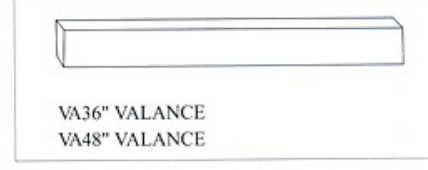
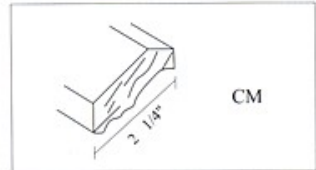
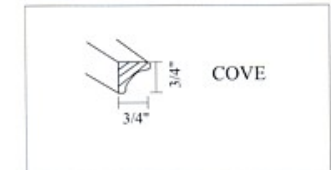
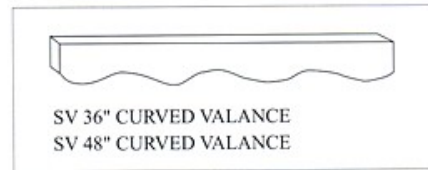
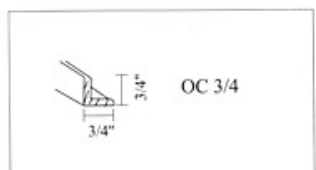
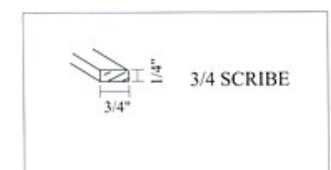
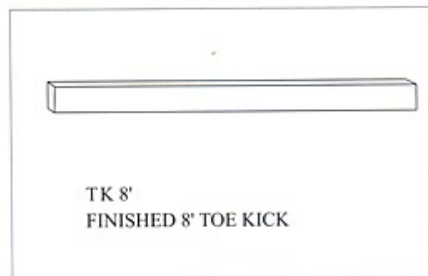
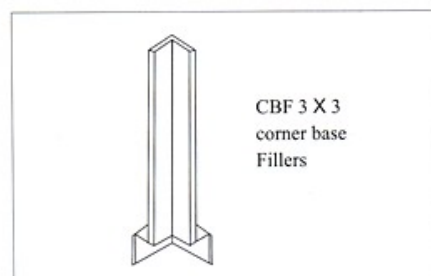
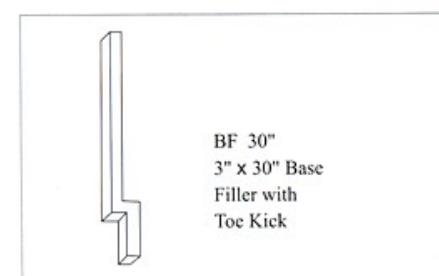
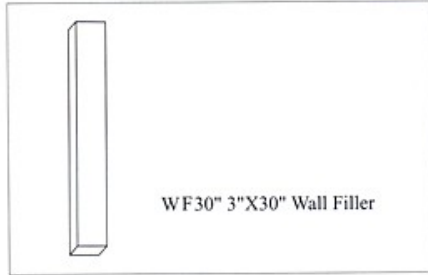
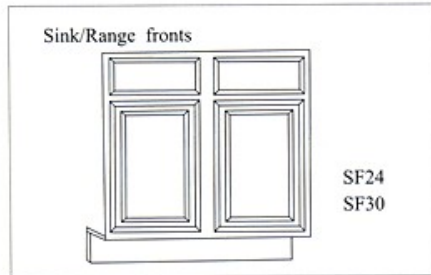
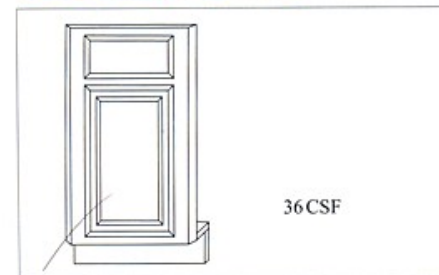
TALL CABINETS (84" HIGH)



VANITIES



SPECIALTY UNITS



All Wood Vanities

